

## SKD Valve Actuator

*24 Vac, Floating (3 Position) Control  
Spring Return or Non-Spring Return*



Flowrite SKD Valve Actuator.

### Description

Designed for use with Flowrite and other standard valves with a 3/4-inch (20 mm) stroke, the Flowrite SKD Electronic Valve Actuator requires 24 Vac supply to provide floating control of a valve.

### Features

- Direct-coupled installation requires no special tools or adjustments
- Visual and electronic stroke indication
- Die-cast aluminum housing
- 250 lb. (1150 N) nominal force
- Integral position feedback
- Manual override
- Spring return available for fail-safe position
- Maintenance-free

### Applications

The Flowrite SKD Electronic Valve Actuator with 24 Vac, floating control is designed to be used with Flowrite and other standard valves in liquid and steam service applications.

A-189

Valves

# SKD Actuator Specifications

Operating Voltage ..... 24 Vac  $\pm$ 20%

Frequency ..... 50/60 Hz

**Power Consumption**

SKD82.50U ..... 13 VA (8 W)

SKD82.51U ..... 18 VA (11 W)

Control Signal ..... 3 Position (Floating)

**Function**

Nominal Stroke ..... 3/4" (20 mm)

Run Time with Control Operation (Full Stroke)

Power Stroke, 0 to 100% @ 60 Hz ..... 120 sec.

Return Stroke, 100 to 0% @ 60 Hz ..... 120 sec.

Spring Return (SKD 82.51U Only) ..... 8 sec.

Nominal Force

NC and 3-way Upper

Stroke ..... 0%

Force ..... 225 lbs. (1000 N)

NO and 3-way By Pass

Stroke ..... 100%

Force ..... 258 lbs. (1150 N)

**Agency Approvals** ..... UL873, CSA C22.2 No. 24-93

**Operating**

Ambient Temperature ..... 5 to 130°F (-15 to 55°C)

Media Temperature ..... 14 to 300°F (-10 to 150°C)

**Conduit Opening** ..... 1/2" NPSM

**Mounting Location** ..... NEMA 1 (Interior Only)

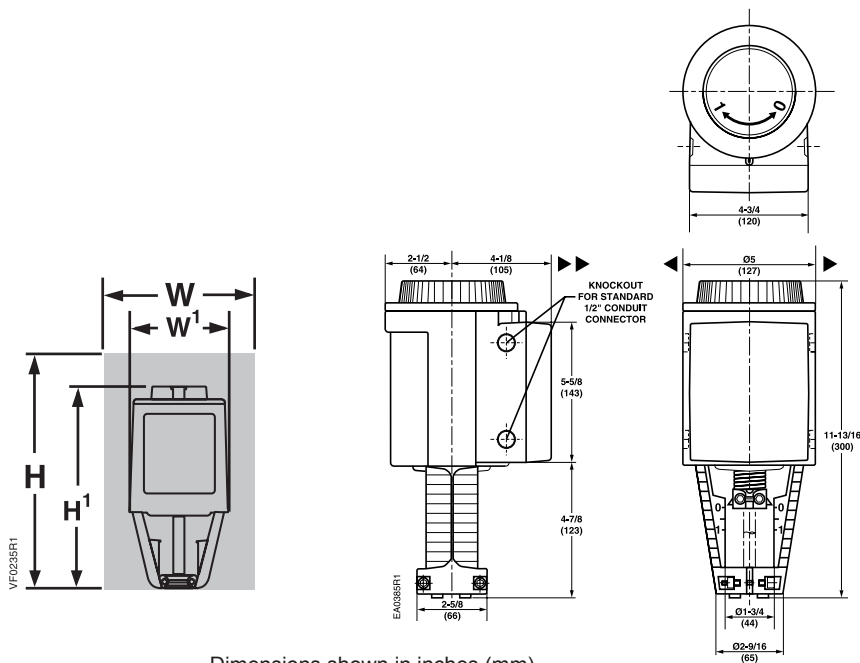
## SKD Actuator Product Ordering

Description	Part No.	Actuator Prefix Code
Spring Return	SKD82.51U	276
Non-Spring Return	SKD82.50U	275

A-190

Valves

## Dimensions



Dimensions shown in inches (mm).

Height of Actuator H <sup>1</sup>	Service Height H	Width/Diameter of Actuator W <sup>1</sup>	Service Width W
11-13/16" (300 mm)	19-3/4" (430 mm)	6-5/8" (170 mm) Width	14-1/2" (360 mm)

**Table Note:**

Service height and width are the recommended dimensions to allow access to the product.